

Lewis Carroll in Wonderland

Paul T E Cusack, BScE, DULE

23 Park Ave. Saint John, NB E2J 1R2 Canada

Abstract: - In this brief paper, we show that Lewis Carroll knew AT Math and Astrotheology not uncovered until recently. He encoded it into his two main works. He postulates that life is but a dream based on his experiences with psychedelics.

Keywords: - Lewis Carroll; Alice in Wonderland; Through the Looking Glass; AT Math; Astrotheology

Introduction

Lewis Carroll (Charles L Dodgson) encoded into his main works, Alice in Wonderland and Through the Looking Glass) his theory on how the universe operates from a mathematical physics point of view.

Lewis imagined that the universe was a mere dream or exists only in the mind of the observer. His main works were the outcrop of his use of magic mushrooms, which contain psychedelics which led to his theory of cosmology. Note: the final chapter of

the second storey [Through the Looking Glass] , which is framed as a question ('Which Dreamed It?') also ends with a question ('Which do you think it was?') and then is followed by an additional poem and an unanswerable question: 'Life, what is it but a dream?' [3] pg 18.

Carroll had access to Newton's Work of 1709, Optics. Observe the following diagram:

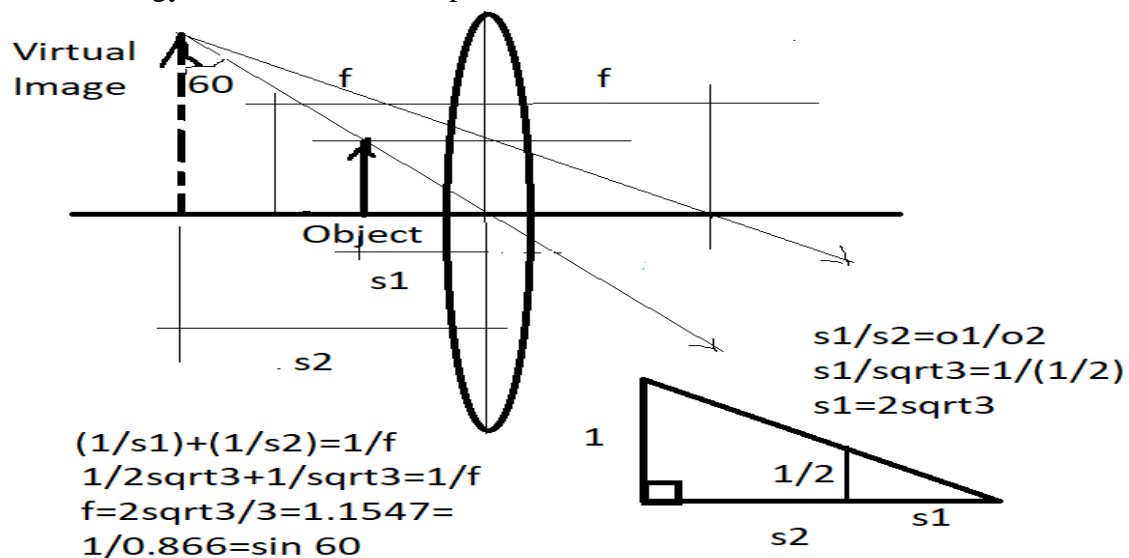


Figure 1 Focal length

We see that the focal length ties in with AT Math, which is explained below.

A common element in the Alice in Wonderland book and Through the Looking Glass (mirror) is the distortion of space and time – distorted because of drugs. He also knew Linear Algebra. Fundamental to Linear Algebra is the cross product:

$$S = E \times t = |E| |t| \sin \theta$$

When space = time, then $E = 1/\sin \theta$.

Let $\theta = 60$ degrees

$$E = 1/\sin 60 \text{ deg} = 0.866.$$

Now we know from Lewis Carroll's work- the Looking Glass- that he gives three specific numbers in the text (pg 225 & pg 246)

Alice’s age is given as “exactly 7 and a half”.

The Queen’s age is given as 101 years, 5 months, and 1 day = 101.49194

No. of Soldeirs on the ground: 4207.

When we add these together, we get 4315.919406=1/2.31700

$E^{23.17}=1.155=1/1/0.8657\sim 1/0.866=E$ from above.

Charles knew AT Math in 1871 when the Alice Book was published.

Carroll was also exposed to Conic Sections according to his biography by Cohen. Note that the plane passing through the cone is at 60 degrees as is the image in figure 1. Carroll was also exposed to algebra where he would have encountered the golden mean parabola.

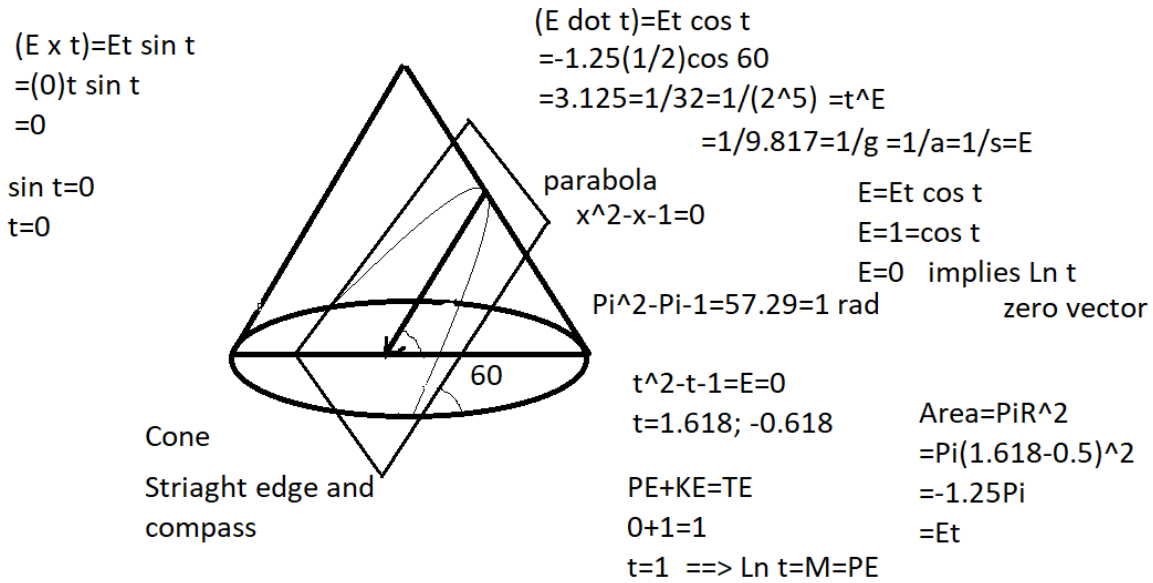


Figure 2 Conic Section: Golden Mean Parabola.

“So I wasn’t dreaming after all,” she said to herself, unless-unless we’re all part of the same dream, and not the Red King’s. I don’t like belonging to another person’s dream.” [1] pg 257.

In his two main works, the characters portray the Lewis Carroll himself.

- White Rabbit
- Hatter
- Alice
- Cat
- Caterpillar
- Knight
- King

The first letters taken together, spell WHACK! Wich is a Hit (of acid). This is further evidence that Carroll used psychedelics.

Conclusion

Lewis Carroll encoded his theory of the universe in his two main works.

References

1. The Best of Lewis Carroll., Castle NJ., USA.
2. Clark. Anne the Real Alice. Stein & Day. NY., NY. 1981.
3. Douglas-Fairhurst., R the Storey of Alice Lewis Carroll and the Secret History of Wonderland. Harvard University Press. 2015., USA.
4. Cusack. PTE Lewis Carroll & AT Math. (Submitted)